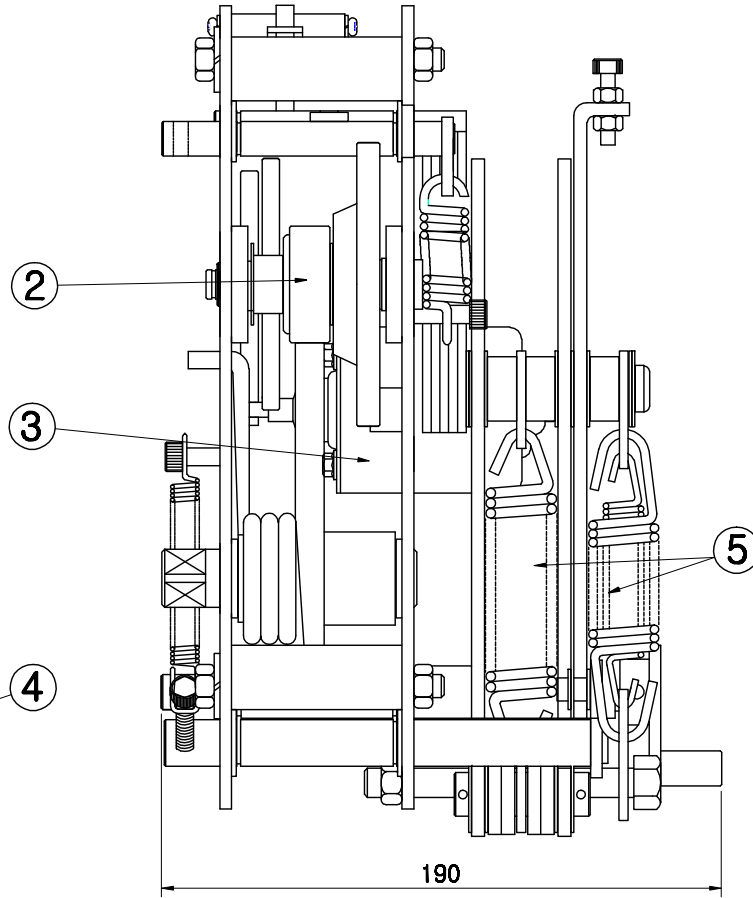
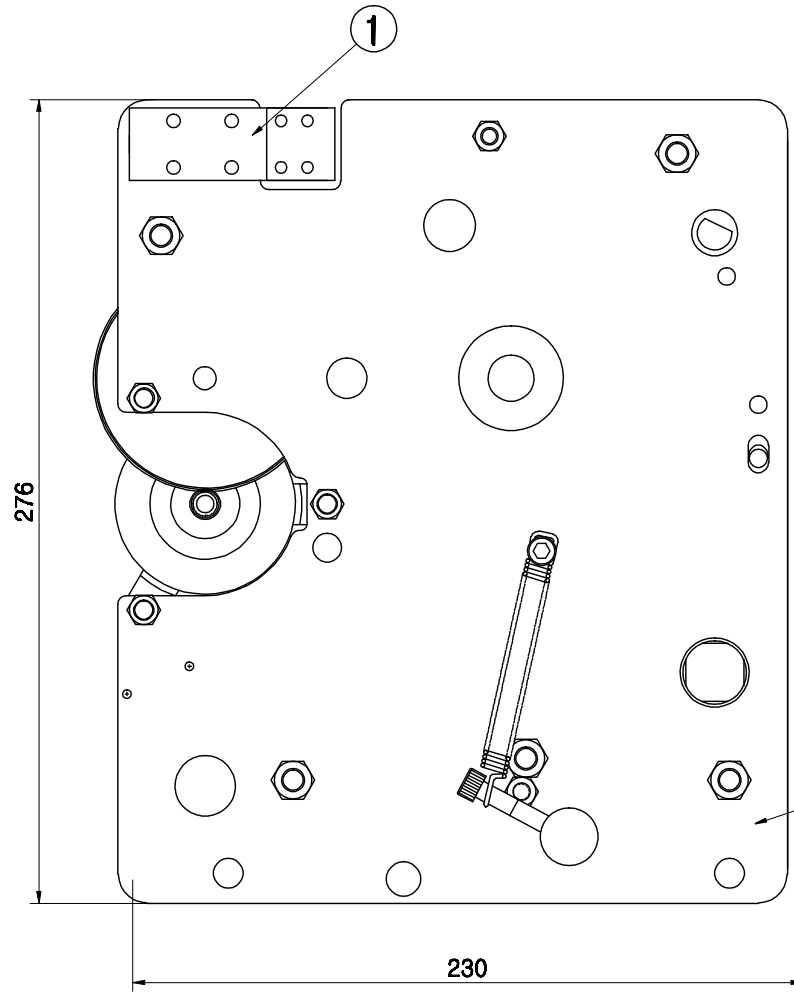


# Mechanism Ass'y



No	Name of Parts	Q'ty
1	Solenoid Ass'y	1
2	Gear Ass'y	1
3	Motor Ass'y	1
4	Plate Ass'y	1
5	Spring Ass'y	1